

# CV Self-Sealing Valve



CV Self-closed Valve

## Description

The CV Self-Sealing Valve is a device connecting SF<sub>6</sub> gas density meter or density monitor and SF<sub>6</sub> gas chamber; after the completion of the assembly, SF<sub>6</sub> gas chamber can be effectively sealed. It can be applied to high and medium voltage equipment.

## Features

- Self-sealing: when this valve is disconnected from either side, it can seal and stop the flow of gas.
- Can withstand repeated usage.
- Can be used on outdoor switchgear.
- Can connect SF<sub>6</sub> gas filling and vacuum pumping devices.
- Can connect SF<sub>6</sub> gas recovery truck.

## Application

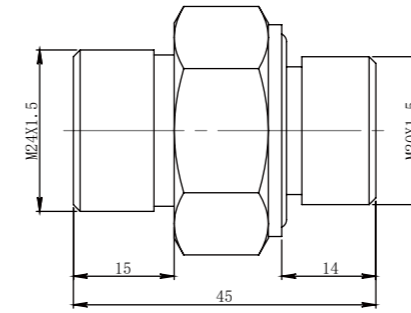
- SF<sub>6</sub> Gas Insulated Switchgear (GIS)
- SF<sub>6</sub> Insulated Circuit Breakers
- SF<sub>6</sub> Insulated Pole-mounted Switch
- SF<sub>6</sub> Insulated Transformer
- SF<sub>6</sub> Insulated Current Transformer or Voltage Transformer
- SF<sub>6</sub> Gas Insulated Busbar Systems
- SF<sub>6</sub> Insulated Inflatable Cabinet
- SF<sub>6</sub> Insulated RMU

## Options

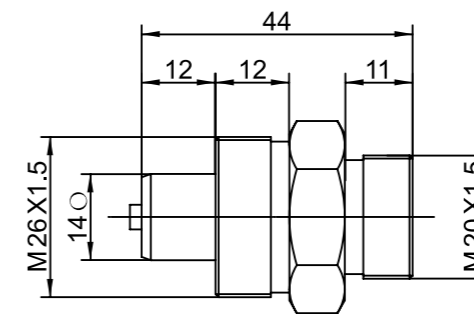
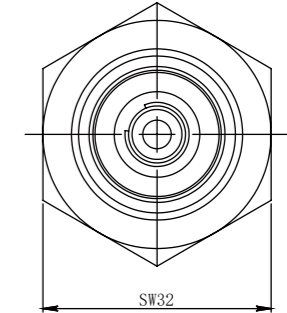
- Pressure connections: customizable
- Nominal diameter: customizable

Technical Parameters	
Valve material	stainless steel, aluminum or a copper alloy
Nominal bore	DN6、DN8、DN12、DN20 etc
Surface finish	Aluminum: Oxidation treatment Stainless steel, copper alloys: Not processed
Ambient conditions	-40° C to 60° C
Leakage rate	≤ 1×10 <sup>-9</sup> Pa·m <sup>3</sup> /s

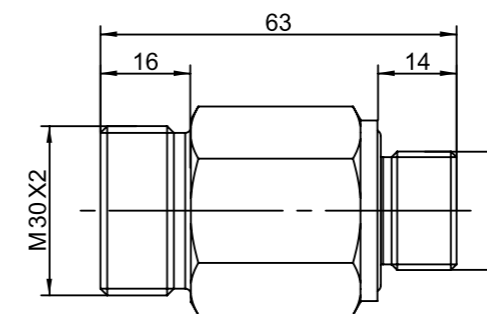
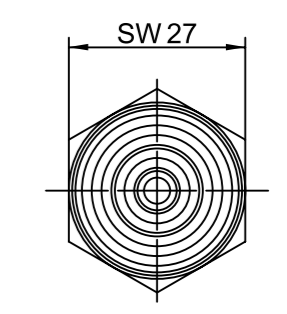
## Dimensions



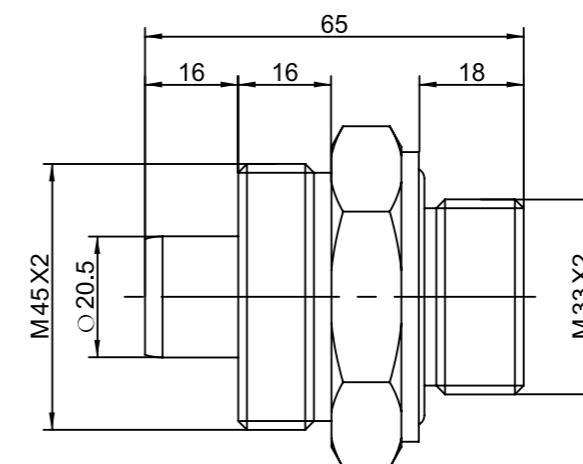
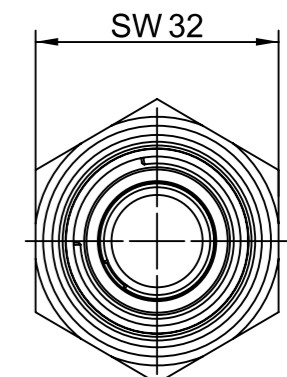
DN6



DN8



DN12



DN20

