

B32.ST+DS27 Flat-Flange Diaphragm Pressure Gauge

LANSO[®]

Pressure measuring



Technical Specs

Standard

JBT 8624-1997

Pressure Gauge Complies with EN837-1, GB/T 1226

Certification: CPA (China)

Nominal Size (mm): 100

Accuracy: 1.0% & 1.6%

Pressure Limits:

■ **Steady State:** 3/4 x Full Scale Range

■ **Fluctuating:** 2/3 x Full Scale Range

■ **Short Time:** Full Scale Range

Overpressure:

≤10MPa: 125% x Full Scale Range

>10MPa, ≤60MPa: 115% x Full Scale Range

Temperature Effect:

When the ambient temperature deviates from 20°C, the reading can deviated to a maximum of ±0.01% / 10K (degrees in Celsius/Kelvin).

Flange Standard:

HG20592、HG20615、ASME B16.5、EN1092-1

Wetted Material:

Stainless Steel 316L, HC276, Monel, Tan

Pressure Element:

Stainless Steel 316L, C-Type or Helical-Type

Description

For Measuring Pressure in fluids that are highly viscous, crystalizing, solidifying or contains small grains. Through changing diaphragm materials, pressure in corrosive fluids can also be measured.

Applications

- Oil and Gas
- Petrochemical Industry
- Electrical Equipment
- Mechanical Processing
- Food and Beverage
- Biopharmaceutical Industry

Features

- Stainless Steel Casing Enclosure
- Versatile on Various Fluids
- Easy to Clean

Options:

- Process Connection Dimensions Customizable
- Dial Customizable

Case Material:

Stainless Steel

Movement:

Stainless Steel

Dial:

■ Aluminum.

■ Black Text on White Background.

Pointer:

Aluminum. Black

Window:

Glass, Safety Glass, Organic Glass

Process Connection:

Back-Mounted, Bottom-Mounted

Diaphragm Filling:

Silicone, Neobee M-20 (Edible Oil), Others

Case Filling:

No Fill, Glycerin, Silicone, Others

Working Temperature:

■ Silicone -20°C to +60°C

■ Neobee M-20 -20°C to +40°C

B32.ST+DS27 Flat-Flange Diaphragm Pressure Gauge

LANSO[®]

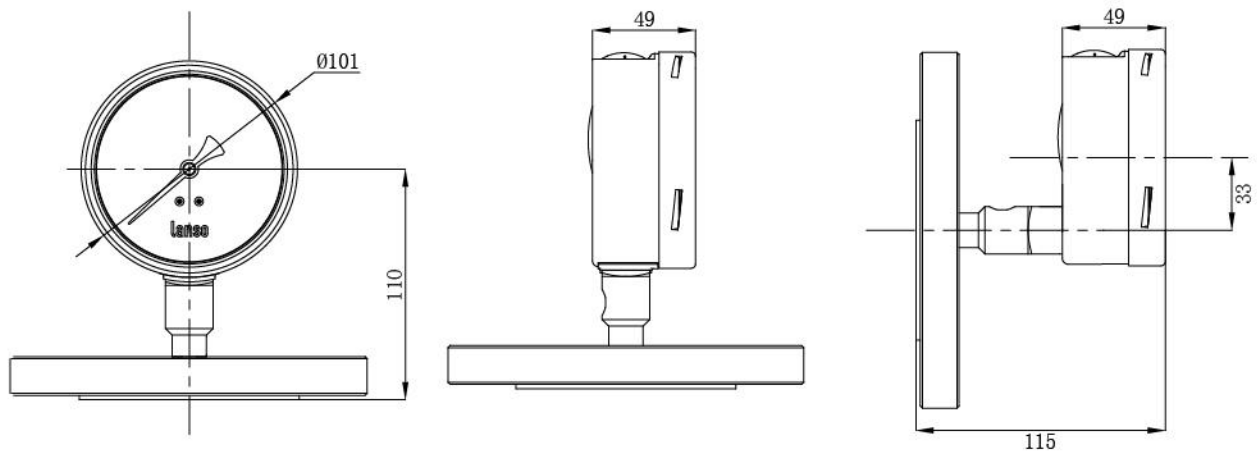
Pressure measuring

Standard Measuring Range

MPa	-0.1~0	-0.1~0.06	-0.1~0.15	-0.1~0.3	-0.1~0.5	-0.1~0.9
	-0.1~1.5	-0.1~2.4	0~0.1	0~0.16	0~0.25	0~0.4
	0~0.6	0~1	0~1.6	0~2.5	0~4	0~6
	0~10	0~16	0~25	0~40	0~60	
bar	-1~0	-1~0.6	-1~1.5	-1~3	-1~5	-1~9
	-1~15	-1~24	0~1	0~1.6	0~2.5	0~4
	0~6	0~10	0~16	0~25	0~40	0~60
	0~100	0~160	0~250	0~400	0~600	
psi	-30inHg~0	-30inHg~15psi	-30inHg~30psi	-30inHg~60psi	-30inHg~100psi	-30inHg~150psi
	-30inHg~300psi	0~15	0~30	0~6	0~100	0~160
	0~200	0~300	0~600	0~800	0~1000	0~1500
	0~2000	0~3000	0~4000	0~5000	0~6000	

★ Range could also be converted to units including millibar (mbar), kg/cm² and kPa.

Dimensions



According to the specification of flange, there will be some deviation in size.